

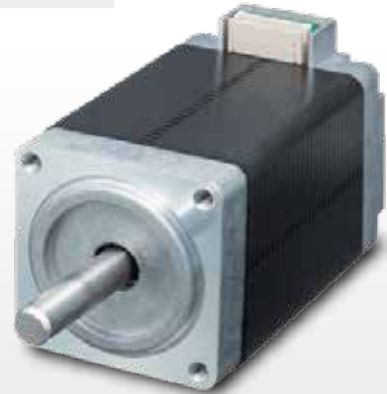
## Outline

28□ 1.8°

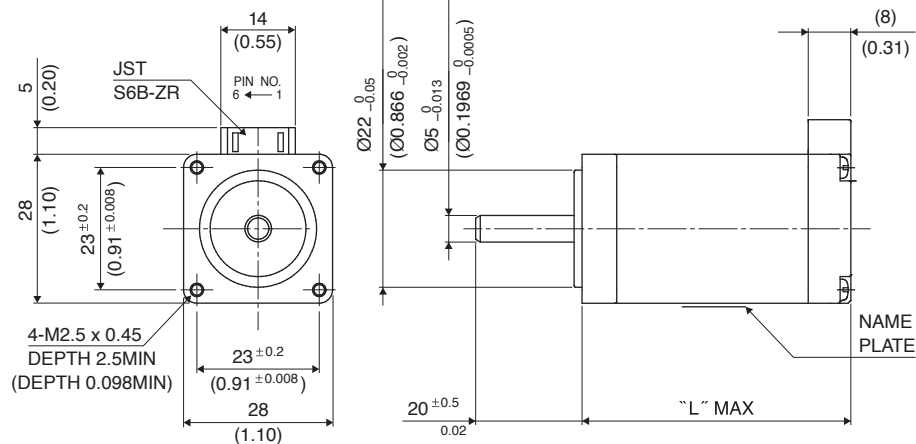
UNIT: $\frac{\text{mm}}{\text{inch}}$		"L"
	11PM-K0**	32.5(1.28)
	11PM-K1**	41.0(1.61)
	11PM-K2**	52.0(2.05)

PIN NO. vs. PHASE

	A	A COM	$\bar{A}$	B	B COM	$\bar{B}$
PIN NO.	4	5	6	1	2	3



• MOTOR SIDE: JST  
-HSG: ZHR-6  
-PIN: SZH-002T-P0.5



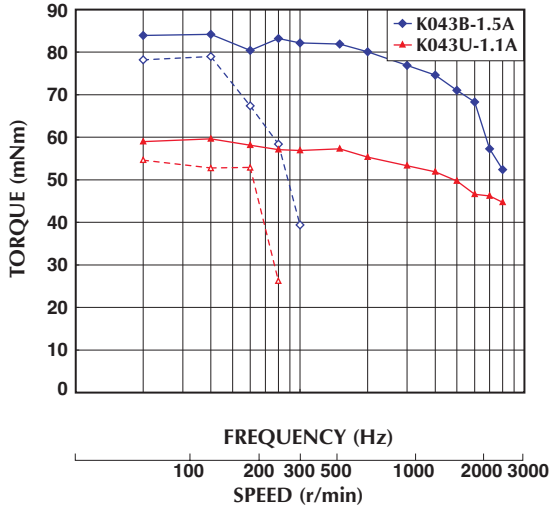
## Specifications

MODEL	Step Angle	Drive Sequence	Rated Current	Resistance	Holding Torque	Inductance	Rotor Inertia	Detent Torque	Mass
	(deg)								
11PM-K043U	1.8	UNI-POLAR	1.1	2.5	75	1.2	8	4.4	100
11PM-K142U	1.8	UNI-POLAR	1.1	2.9	105	1.2	13	5.4	130
11PM-K241U	1.8	UNI-POLAR	1.1	3.4	145	1.8	16	8.0	200
11PM-K043B	1.8	BI-POLAR	1.5	1.3	100	1.2	8	4.4	100
11PM-K142B	1.8	BI-POLAR	1.5	1.5	145	1.2	13	5.4	130
11PM-K241B	1.8	BI-POLAR	1.5	1.7	200	1.8	16	8.0	200

**Torque / Speed Characteristics**

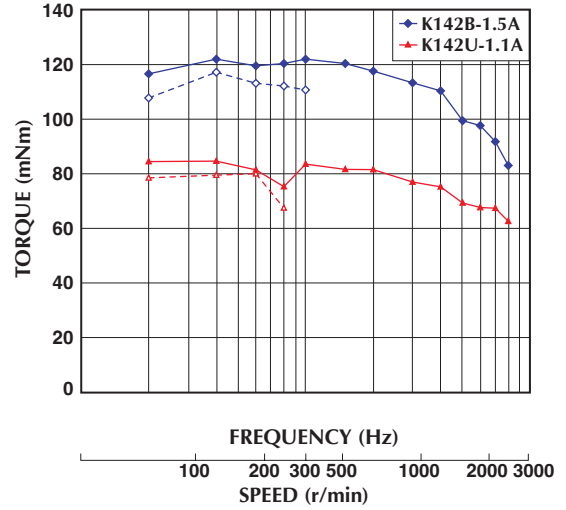
Model No: **11PM-K043B/K043U**

Driver: Chopper Dual  
Supply Voltage: 24.0 (Volt)



Model No: **11PM-K142B/K142U**

Driver: Chopper Dual  
Supply Voltage: 24.0 (Volt)



Model No: **11PM-K241B/K241U**

Driver: Chopper Dual  
Supply Voltage: 24.0 (Volt)

